

Fitting Instructions

Code: Z5185

Application:

My11- Subaru Impreza STi

Always refer to current catalogue for complete application listing.

Specifications:

Replacement caster offset solid spherical bearing.

Contents:

- 2 x Alloy hubs with spherical bearing
- 2 x 16mm alloy spacers
- 2 x 11mm alloy spacers
- 6 x 5mm alloy spacers
- 2 x Large Circlips

Fitting Instructions:

1. Remove both front control arms.
2. Using a press, push out the rear bush. Check the eyelet is clean and free of any aluminium burrs.
3. Carefully press the new alloy hub in from the bottom side up. For maximum caster place the offset as per figure 1.
4. Fit the supplied circlip to upper side of arm.
5. Re fit the aluminium arms to the vehicle but only loosely bolt up the front bush and ball joint.

ANTI-GEOMETRY ADJUSTMENT

1. Factory spec (fig 1) Recommended for daily usage.
 2. Anti-dive (fig 2) Can promote better feel under high speed braking.
 3. Anti-lift (fig 3) Can promote better traction and steering feel under power.
- Refer to the illustrations for the desired setting.
6. Once you have your desired setting tighten all nuts and bolts. Re check after 100km.

Fig 2

OE specification

OE GEOMETRY
1 x 16mm SPACER

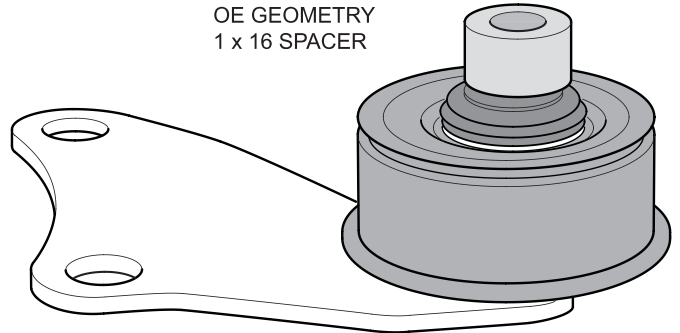


Fig 3

Anti-Dive

ANTI-DIVE GEOMETRY
1 x 11mm SPACER AND
1 x 5mm SPACER

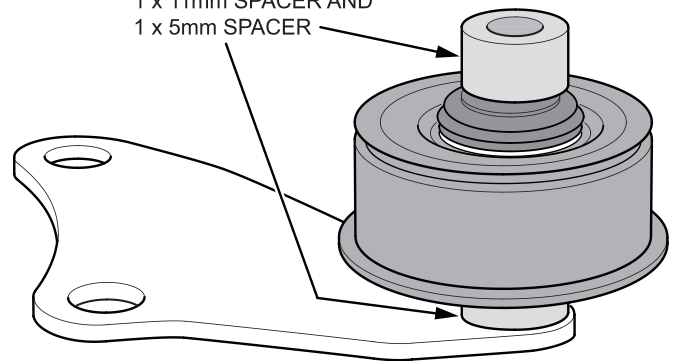


Fig 4

Anti-Lift

ANTI-LIFT GEOMETRY
1 x 16mm SPACER AND
3 X 5mm SPACER

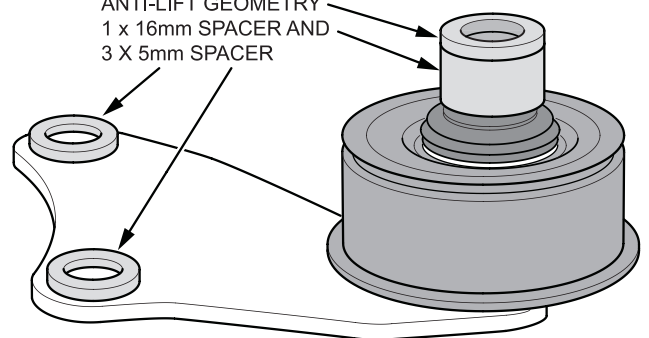
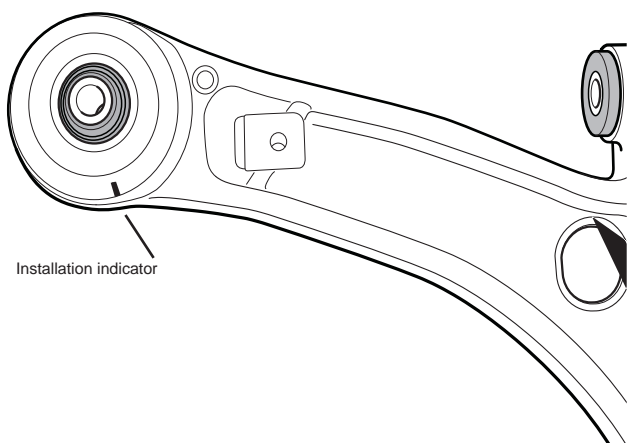


Fig 1

Left Hand Arm Shown



Warning: Please drive carefully while you accustom yourself to the changed vehicle behaviour.